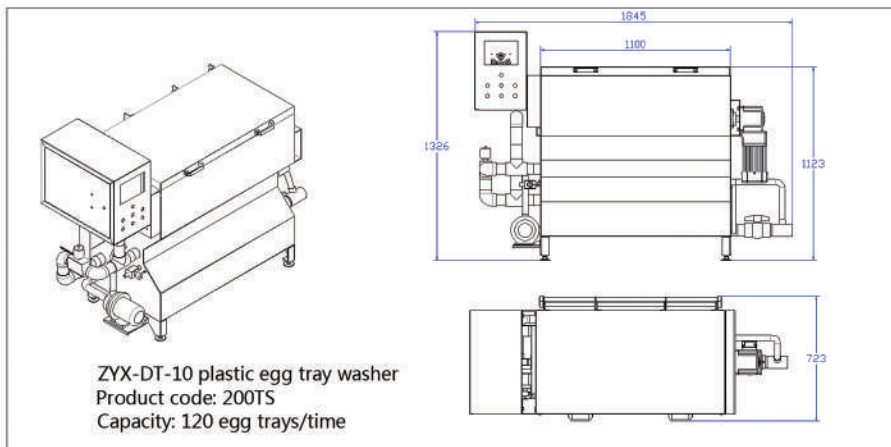




**200TS  
PLASTIC EGG TRAY WASHER**

**Features**

- ◆ Made of strong stainless steel for great durability and hygiene.
- ◆ Includes automatic water refilling and pumping, tray washing, sanitizing and spinning functions all in one machine.
- ◆ You can put a stack of plastic egg trays into the washing tank manually (up to 120 trays per time), close the lid, and then press start button, the machine will wash the trays automatically.
- ◆ It works like a laundry washing machine, you don't need wait there, the machine will stop itself automatically and enter standby after the whole process is finished.
- ◆ The machine has a water tank, you can add sanitizer or disinfectant (follow the food authority requirements in your area) into the water tank to ensure the egg tray washing meet all rules and requirements.
- ◆ The water that is used to wash trays is recycled and used again, there's a filter above the tank that filter impurities to improve recycled water quality.
- ◆ The plastic egg trays will be rotated in the washing tank at a high speed, the water on the plastic egg trays will spin off and fall back into the water tank.
- ◆ The machine has a control panel with a color touch screen and physical buttons, all the functions can be controlled through the buttons on the control panel.
- ◆ You can set the washing time as well as spinning time according to how dirty your trays are.
- ◆ Has a compact structure and requires less storage space.



Model	ZYX-DT-10
Product code	200TS
Capacity	120 trays a time
Speed	Fixed
Power	1.2KW
Voltage	380V-415V, 50HZ, 3-phase
People	Only one
Dimension (L* W* H)	1.8*0.7*1.3 M
Net weight	280 kg
Gross weight	350 kg
Function	Automatic water refilling and pumping, washing, sanitizing and spinning

\* Net weight and gross weight are for your reference only.